

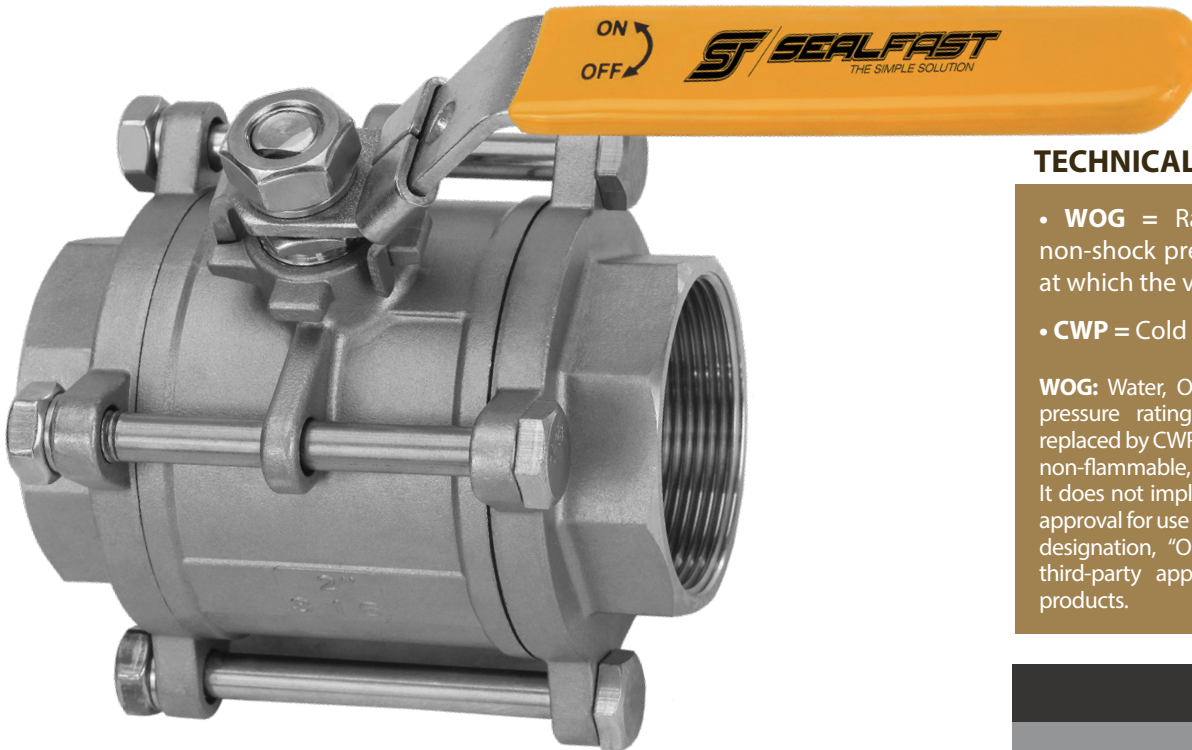


VALVES

**BALL - LOCKING HANDLE 316 SS
1000 WOG/CWP**

FEATURES & APPLICATIONS:

- Full Bore - 3 Piece
- 1000 WOG/CWP
- 316 SS - PTFE Seat
- Locking Handle
- Plumbing or heating projects, low pressure steam, compressed air, HVAC



TECHNICAL DATA:

- **WOG** = Rating indicates the maximum non-shock pressure at ambient temperatures at which the valve may be used.
- **CWP** = Cold working pressure

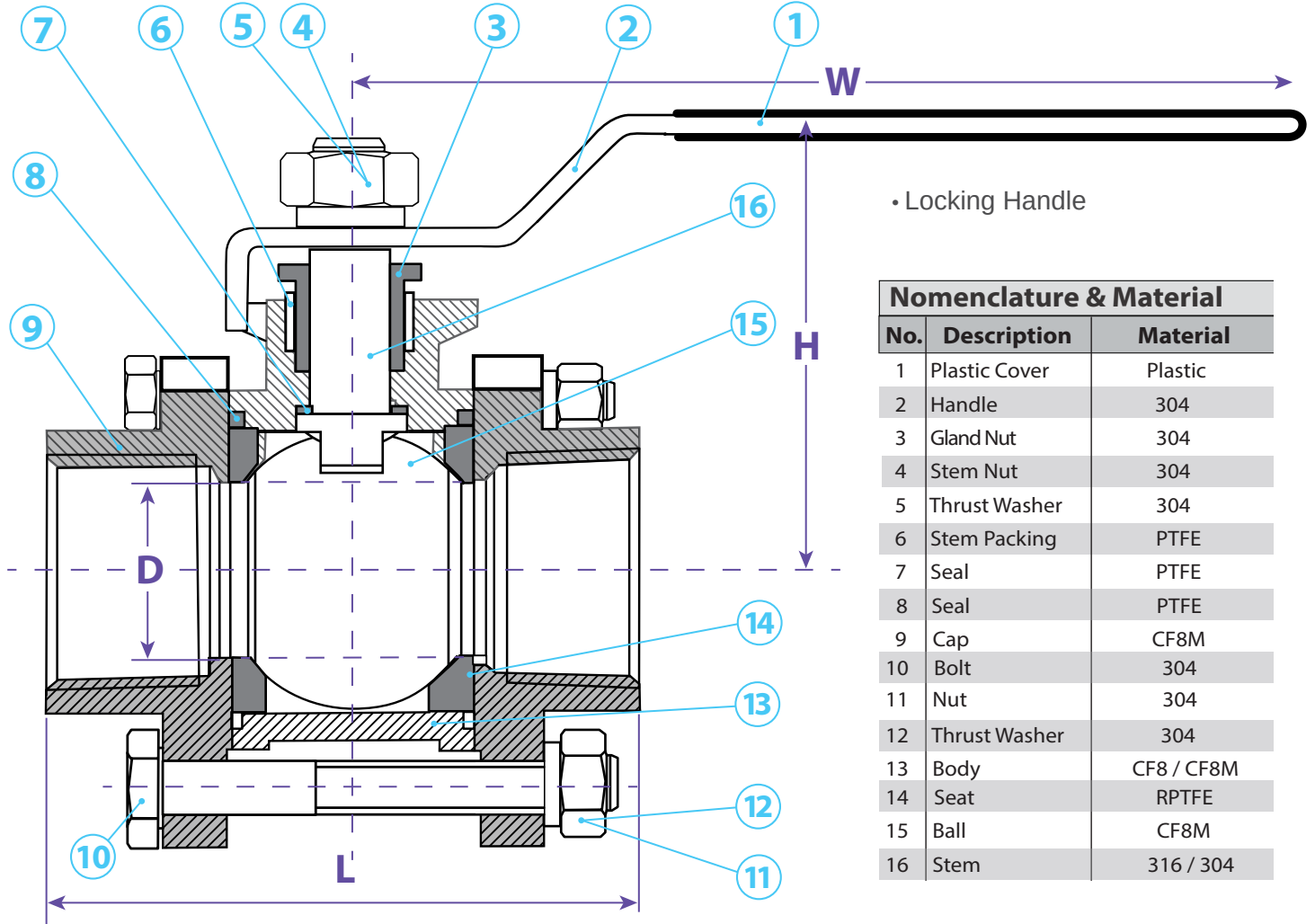
WOG: Water, Oil & Gas: This was an older, generic pressure rating call-out which has been largely replaced by CWP. In this designation, "GAS" refers to any non-flammable, compressible fluid in a gaseous state. It does not imply a product's suitability or third-party approval for use with flammable gases. Similarly, in this designation, "Oil" does not imply a product's third-party approval for use with any petroleum products.

316 SS	
Size	Part #
1/4"	SSFV 025
3/8"	SSFV 038
1/2"	SSFV 050
3/4"	SSFV 075
1"	SSFV 100
1-1/4"	SSFV 125
1-1/2"	SSFV 150
2"	SSFV 200
2-1/2"	SSFV 250
3"	SSFV 300
4"	SSFV 400



SEALFAST
THE SIMPLE SOLUTION

PIPE FITTINGS & VALVES



• Locking Handle

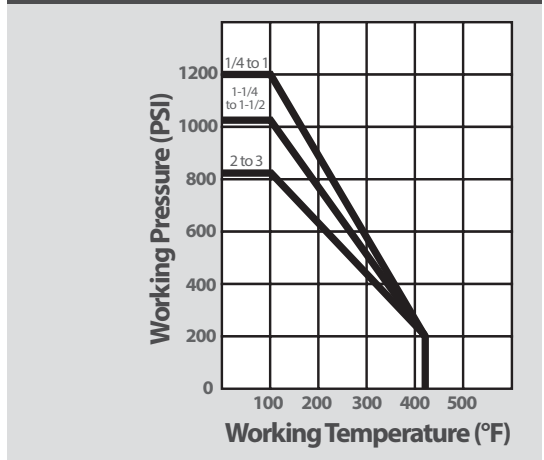
Nomenclature & Material

No.	Description	Material
1	Plastic Cover	Plastic
2	Handle	304
3	Gland Nut	304
4	Stem Nut	304
5	Thrust Washer	304
6	Stem Packing	PTFE
7	Seal	PTFE
8	Seal	PTFE
9	Cap	CF8M
10	Bolt	304
11	Nut	304
12	Thrust Washer	304
13	Body	CF8 / CF8M
14	Seat	RPTFE
15	Ball	CF8M
16	Stem	316 / 304

Dimensions

Size	D	L	H	W	Part #
1/4"	43	2.52	1.89	4.13	SSFV 025
3/8"	49	2.52	1.89	4.13	SSFV 038
1/2"	59	2.83	1.97	4.13	SSFV 050
3/4"	79	3.15	2.20	4.96	SSFV 075
1"	98	3.35	2.64	5.67	SSFV 100
1-1/4"	1.26	4.13	2.83	5.67	SSFV 125
1-1/2"	1.50	4.45	3.66	7.44	SSFV 150
2"	1.97	5.20	3.98	7.44	SSFV 200
2-1/2"	2.56	6.69	4.92	8.82	SSFV 250
3"	2.99	7.32	5.31	8.82	SSFV 300
4"	3.70	8.90	6.61	11.73	SSFV 400

Temperature / Pressure Rating



TITLE **BALL VALVE w/Locking Handle - 1000 WOG/CWP**

DISCLAIMER

All drawings and specifications are subject to change without notice. Drawings represent general dimensions of our products. Seal Fast Inc. cannot guarantee the dimensions will exactly match those in the drawing. The drawing is the property of Seal Fast Inc. Copying or reproduction of this drawing is expressly prohibited.

MATERIAL

STAINLESS STEEL

DRAWING NOT TO SCALE

PART #

SSFV...

